



BOSCH
Invented for life

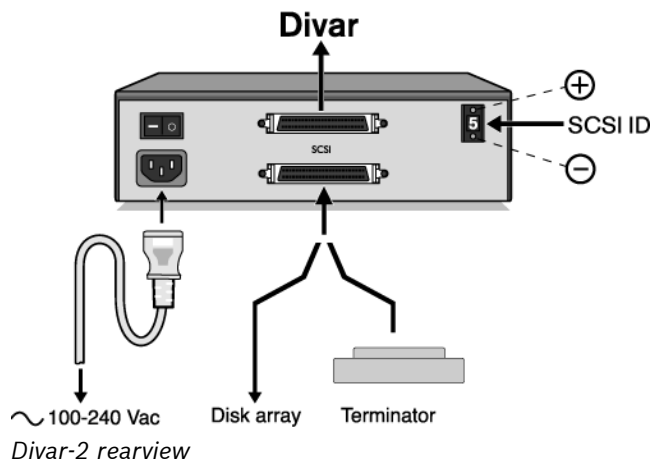
Divar 2 - External CD/DVD Writer (Accessories)



- ▶ Fast and easy local archiving
- ▶ Archive to DVD or CD
- ▶ Multiple archives per disk
- ▶ Just plug & burn

Where video is required for evidence of an incident, the Divar external DVD writer is the fastest and easiest way to archive recordings on high-capacity optical media. The Divar external DVD writer makes creating an archive simple and very user friendly. After selecting recordings, archiving is fully automatic and carried out without the need for a PC. Multiple archives can be written to a single disc. The writer is compatible with industry standard CD-R, CD-RW, DVD+R or DVD+RW format discs, and allows multiple archives to be recorded on a single disc. Thanks to fast writing speeds, the Divar external DVD writer is one of the fastest dedicated writers for digital video recorders. Together with the archived video, a dedicated PC player is written to the inserted medium for playback of the secure video files on any PC. The dedicated PC player also has the ability to authenticate the archived images. Installation of the external DVD writer is very easy. Simply connect the writer to the SCSI port of the Divar, power it on and start archiving.

Installation/Configuration Notes



Parts Included

Quantity	Component
1	Divar-2 External CD/DVD Writer

Technical Specifications

Electrical

Rated voltage & power	100 - 240 VAC; 0.3 - 0.15 A; 50 / 60 Hz
Interface	SCSI-2 HD 50 pins
Write speed	Approx. 1 MB/s
Connection	If no disk array is used, be sure to connect the supplied terminator to the second SCSI connector. Otherwise connect the external CD/DVD writer to the Divar first, and then connect the optional disk array to the external CD/DVD writer.
Internal cable length	2 x 15 cm (5.9 inch)
Max. total SCSI cable length	1 to 4 SCSI devices: 3 m (118 inch) 5 to 7 SCSI devices: 1.5 m (59 inch)
SCSI ID	Selectable between 0 and 6 (default 5). If you are using a disk array, the selected ID for the external CD/DVD writer should be different from the ID set on the disk array.

Write speed external DVD writer

- DVD+R / DVD+RW: 4 x (or higher)
- CD-R: 40 x (or higher)
- CD-RW: 24 x (or higher)

Supported media	DVD+R, DVD+RW, CD-R, CD-RW
------------------------	----------------------------

Not all CD and DVD media may work, for a detailed list of CD & DVD media that has been approved visit www.boschsecuritysystems.com

Mechanical

Dimensions	175 x 305 x 60 mm (6.89x12.01x2.36 inch)
Weight	Approx. 2.5 kg, (5,53 lbs)

Environmental

Temperature

Operating	+5°C to +45°C (+41°F to +113°F)
Storage	-20°C to +60°C (-4°F to +140°F)

Relative humidity

Operating	<80% Non-condensing
Storage	<90% Non-condensing

Electromagnetic compatibility

EMC requirements

USA	FCC Part 15 Class B
EU	EMC directive 89/336/EEC Immunity: EN50130-4 Emission: EN5022 Class B Harmonics: EN 61000-3-2 Voltage fluctuations: EN 61000-3-3

Safety

USA	UL 60950
EU	EN 60065
Can.	CAN/CSA 60065-00 cUL

Ordering Information

Model | Description

DVRXEDVD1 Divar 2 - external CD/DVD writer (Accessories)

Americas:
Bosch Security Systems
130 Perinton Parkway
Fairport, New York, 14450, USA
Phone: +1 585 223 4060
Fax: +1 800 289 0096
security.sales@us.bosch.com
www.boschsecurity.us

Europe, Middle East, Africa:
Bosch Security Systems B.V.
P.O. Box 80002
5600 JB Eindhoven, The Netherlands
Phone: +31 (0) 40 27 83955
Fax: +31 (0) 40 27 86668
emea.securitysystems@bosch.com
www.boschsecurity.com

Asia-Pacific:
Bosch Security Systems Pte Ltd
38C Jalan Pemimpin
Singapore 577180
Phone: +65 6319 3450
Fax: +65 6319 3499
apr.securitysystems@bosch.com
www.boschsecurity.com

Represented by